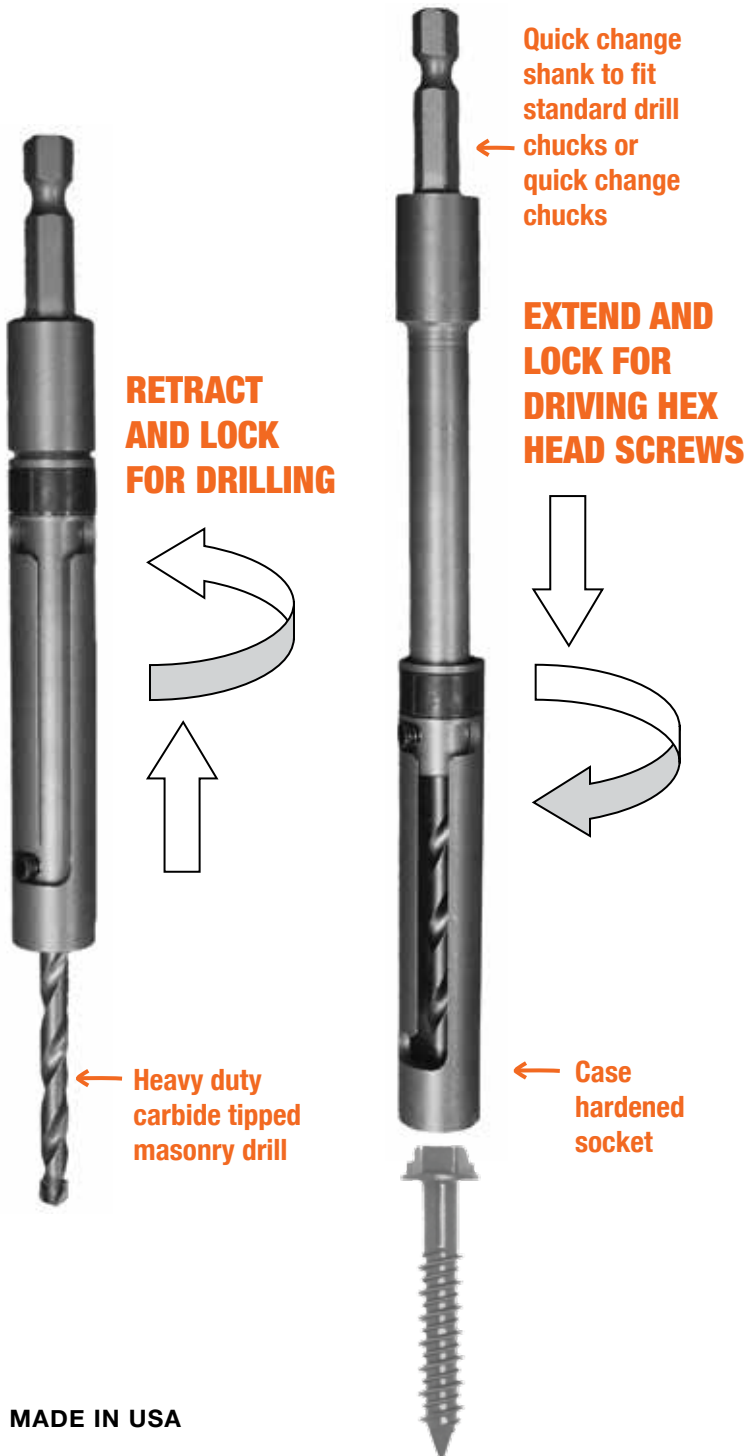


CONCRETE SCREW INSTALLATION TOOL



TOUGH
ON ANY JOB SITE



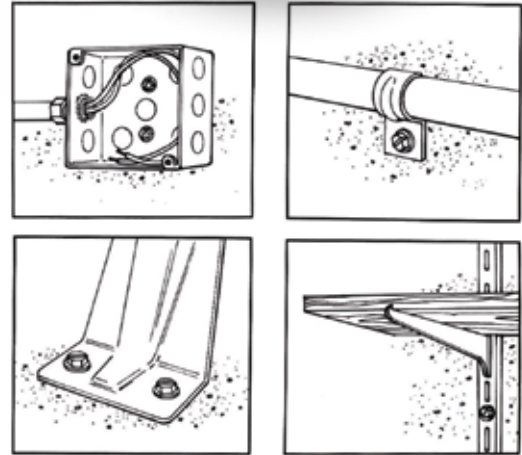
**RETRACT
AND LOCK
FOR DRILLING**

**Quick change
shank to fit
standard drill
chucks or
quick change
chucks**

**EXTEND AND
LOCK FOR
DRIVING HEX
HEAD SCREWS**

**Heavy duty
carbide tipped
masonry drill**

**Case
hardened
socket**



SAFETY AND EFFICIENCY IN DRILLING AND DRIVING CONCRETE FASTENERS

Current tools for drilling and driving concrete fasteners have two or three separate pieces that are prone to getting lost or falling on workers below.

Problem solved. The Concrete Rib Tool is conveniently slid and locked out of the way of the drill. No need to remove from driver, creating a much safer environment for workers below. Less time and money is spent on replacing lost tools.

Usage:

- Electrical and plumbing hangers
- Electrical box installation
- Cable box installation
- HVAC

TWO SIZES 1/4" and 5/16"

MADE IN USA

EAGLE TOOL US

4014 NW HWY, Crystal Lake, IL

www.eagle-tool.us

P - 815-459-4177

F - 815-459-4178